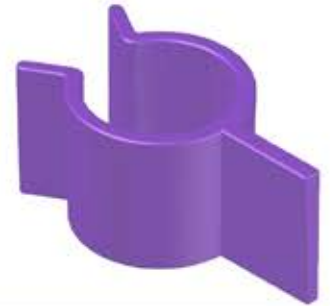
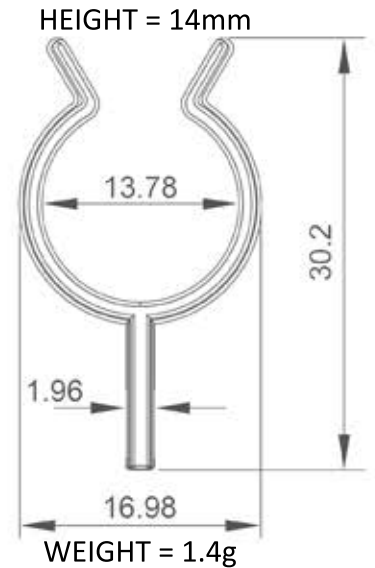
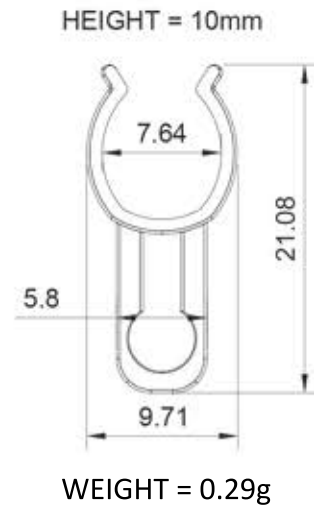
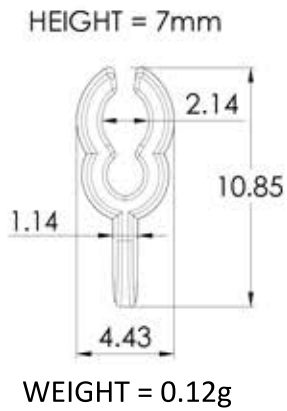


## Datasheet



HCC1	HCC2	HCC3	HCC4
1 – 4 mm <sup>2</sup> csa Cables	6 – 16 mm <sup>2</sup> csa Cables	25 – 70 mm <sup>2</sup> csa Cables	95 – 185 mm <sup>2</sup> csa Cables
2.3 – 4.2mm Diameter Cables	4.8 – 7.1mm Diameter Cables	8 – 13.6mm Diameter Cables	13.8 – 23mm Diameter Cables



DIMENSIONS IN MILLIMETRES  
NOTE: IMAGES ARE NOT TO SCALE

Physical Properties:	
Base Materials	90-95% Polypropylene flame retardant to UL94V0 self extinguishing rating non-halogenated. 5-10% Thermochromic Masterbatch.
Initial Colour Change Temperature	53°C
Permanent Colour Change Temperature	71°C
Tolerance	-/+ 1°C
Response Time	5 to 20 seconds
Storage	Store at room temperature & humidity (i.e. 16°C to 27°C & 40% to 60% RH)
Product Lifespan	Replace hot connection indicators within a maximum lifespan interval of 5 years.

**DESCRIPTION:** Safe Connect HCC colour changing temperature indicators give early visual warning of developing high temperature/high resistance electrical connections. Temperature of the cable insulation will cause HCC to change from safe temperature indication purple/blue colour to warning temperature indication bright pink colour.

**CAUTION:** HCC are designed for use on electrical cables and as such electrical safety must be assessed by a competent electrician prior to their application.

**INSTALLATION:** HCC are designed to be push fitted onto the outer insulation of a cable, adjacent to its connection terminal. HCC should not be installed on live circuits. Isolate circuits prior to HCC installation.

### LIMITATIONS:

- HCC are not suitable for unprotected use outdoors or in direct sunlight. HCC are vulnerable to degradation and non-performance from prolonged exposure to ultra-violet (UV) light.
- HCC are not suitable for use in sub-zero temperatures.
- HCC will not prevent electrical faults or fires but will aid in monitoring abnormal temperatures and will give visual indication of electrical connection faults and potential fire risks.
- Use of HCC does not replace the need to formally install, maintain, inspect and test electrical installations in accordance with the Electricity Act and its associated regulations, Electrical Installation and Wiring Rules and Manufacturer's instructions.

This information is provided solely for consideration, investigation and verification by the user. HCC are not suitable for all environmental applications. The end user must verify that they are suitable for use in their application.